

- **Style: Simple**
- **Size: Mid Tower supports up to ATX MB**
- **Material: Steel & Tempered Glass**

### Main Features

- **Connection** : Front I/O ports with 2 x USB 3.0 & 1 x USB 3.2 (Gen 2) Type C
- **Expansion** : 2+5 drive bays with modular drive trays design
- **Support** : Supports AIO cooling solutions



## Specification

Model	V350 TG ARGB Air	V350 TG ARGB Air Snow
P/N	CA-1S3-00M1WN-03	CA-1S3-00M6WN-03
Case Type	Mid Tower	
Chassis Dimension (H*W*D)	475 x 220 x 461 mm (18.7 x 8.66 x 18.1 inch)	
Net Weight	8.46 kg / 18.65 lbs.	
Side Panel	Tempered Glass x 2	
Color	Black	White
Material	SPCC	
Cooling System	<b>Front(intake):</b> 120 x 120 x 25 mm ARGB fan (1000rpm, 27.2 dBA) x 3  <b>Rear(exhaust):</b> 120 x 120 x 25 mm Turbo fan (1200rpm, 22 dBA) x 1	
Drive Bays	2 x 3.5", 5 x 2.5" or 7 x 2.5"	
Expansion Slots	7 (Rotatable Patented Design)	
Motherboards	6.7" x 6.7" (Mini ITX), 9.6" x 9.6" (Micro ATX), 12" x 9.6" (ATX)	
I/O Port	USB 3.2 (Gen 2) Type-C x 1, USB 3.0 x 2, HD Audio x 1	
PSU	Standard PS2 PSU ( <b>optional</b> )	
Fan Support	<b>Front:</b> 3 x 120mm, 2 x 120mm, 1 x 120mm 2 x 140mm, 1 x 140mm <b>Top:</b> 1 x 120mm, 1 x 140mm <b>Right (M/B Side):</b> 2 x 120mm, 1 x 120mm <b>Rear:</b> 1 x 120mm	
Radiator Support	<b>Front:</b> 1 x 360mm, 1 x 240mm, 1 x 120mm 1 x 280mm, 1 x 140mm <b>Right (M/B Side):</b> 1 x 240mm (vertical-installed GPU recommended), 1 x 120mm <b>Rear:</b> 1 x 120mm	
Clearance	<b>CPU cooler height limitation:</b> 160mm <b>VGA length limitation:</b> 360mm(With radiator) 390mm(Without radiator) <b>PSU length limitation:</b> 180mm (With HDD Cage) 220mm(Without HDD Cage)	

## Packaging

Package Information	V350 TG ARGB Air	V350 TG ARGB Air Snow
EAN Code	4713227530798	4713227530804
UPC Code	841163080801	841163080818
N.W	8.46 kg / 18.65 lbs.	
G.W	9.89 kg / 21.8 lbs.	
Carton Size (L x W x H)	557 x 317 x 545 mm / 21.9 x 12.5 x 21.5 inch	
Cuft	3.4	
Container	w/o pallet	
20'	283 pcs	
40'	591 pcs	
40' HQ	671 pcs	





# Thermaltake V350 TG ARGB Air Mid Tower Chassis

Appearance –  
Black version



Angle view



Left Side view



Front view



Right Side view



Internal Structure



Rear view



Top view



Bottom view



# Thermaltake V350 TG ARGB Air Mid Tower Chassis

Appearance –  
Snow version



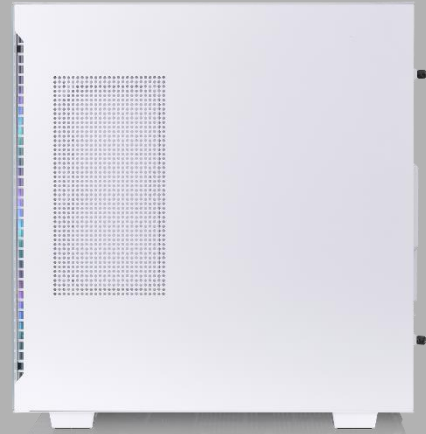
Angle view



Left Side view



Front view



Right Side view



Internal Structure



Rear view



Top view



Bottom view





# Thermaltake V350 TG ARGB Air Mid Tower Chassis

## Clearance



Maximum support up to 120mm fan x 7

Maximum radiator support up to 360mm at front



3mm Tempered Glass Window x 1

## Pre-installed ARGB Fans



Pre-installed three hydraulic bearing 120mm ARGB front fans which can effectively lower the operation noise and enhance the thermal efficiency.



Divider 350 TG ARGB Air



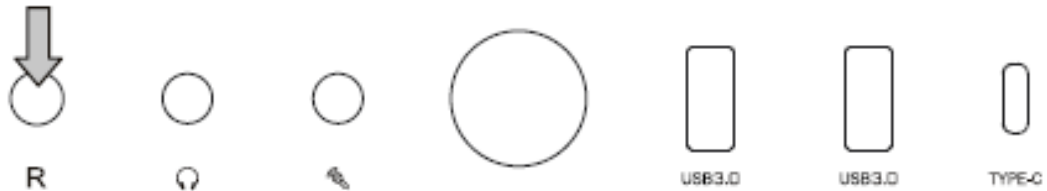
Divider 350 TG ARGB Air Snow

### SPEC for Case ARGB fans

- Fan Speed: 1000 +/- 10% RPM
- Fan Airflow: 45 CFM
- Fan Air Pressure: 0.82 mm-H2O
- Fan Noise Level: 27.2 dBA
- Fan Bearing: Hydraulic bearing

## ARGB lighting Control Instruction

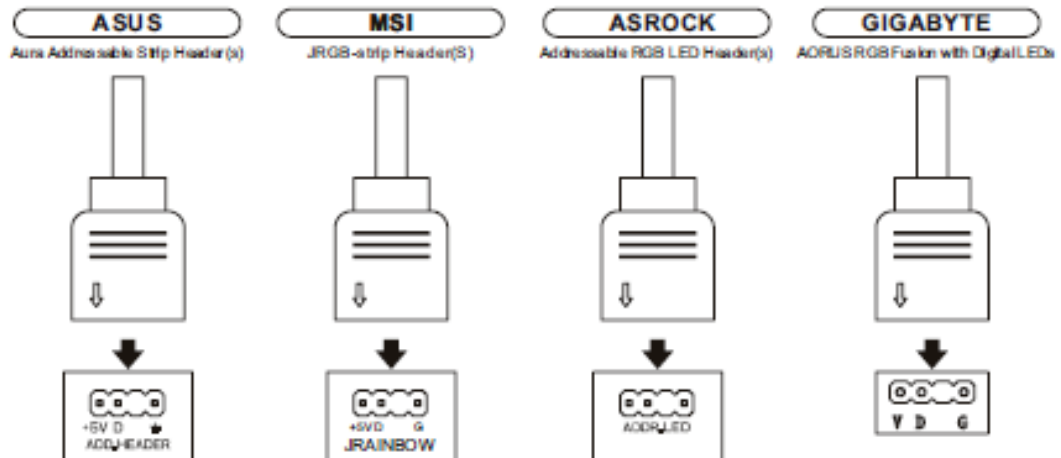
### I/O Port



- Wave Mode** Mode 1
- Flow Mode** Mode 2
- RGB Lighting** Mode 3 (Single Color)
- Radar Mode** Mode 4~10  
(Red, Yellow, Green, Cyan, Blue, White, Purple)
- Breath Mode** Mode 11~18  
(RGB, Red, Yellow, Green, Cyan, Blue, White, Purple)
- Full Lighted Mode** Mode 19
- Single Color** Mode 20~26  
(Red, Yellow, Green, Cyan, Blue, White, Purple)
- Light Off** Mode 27

⊗ Long press on RGB button for 3 seconds, fan will blink twice which now are controlled by MB software. And vice versa.

### How to connect MB







# Thermaltake V350 TG ARGB Air Mid Tower Chassis

## Structure (External)

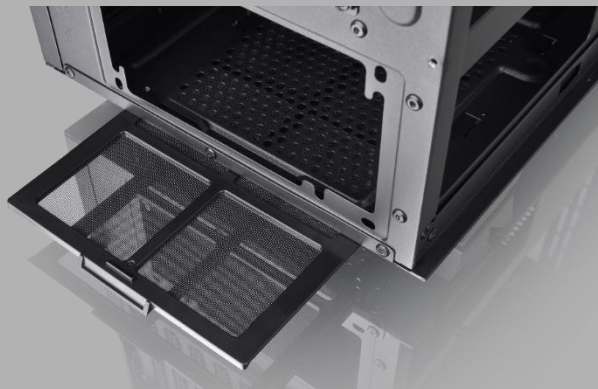
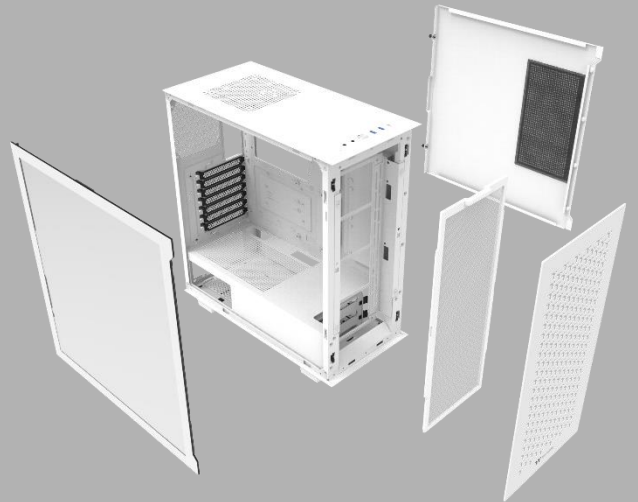


**USB 3.2 (Gen 2) Type-C x 1**

**USB 3.0 x 2**

**HD Audio**

Tool-free,  
easy-to-remove  
Panels design

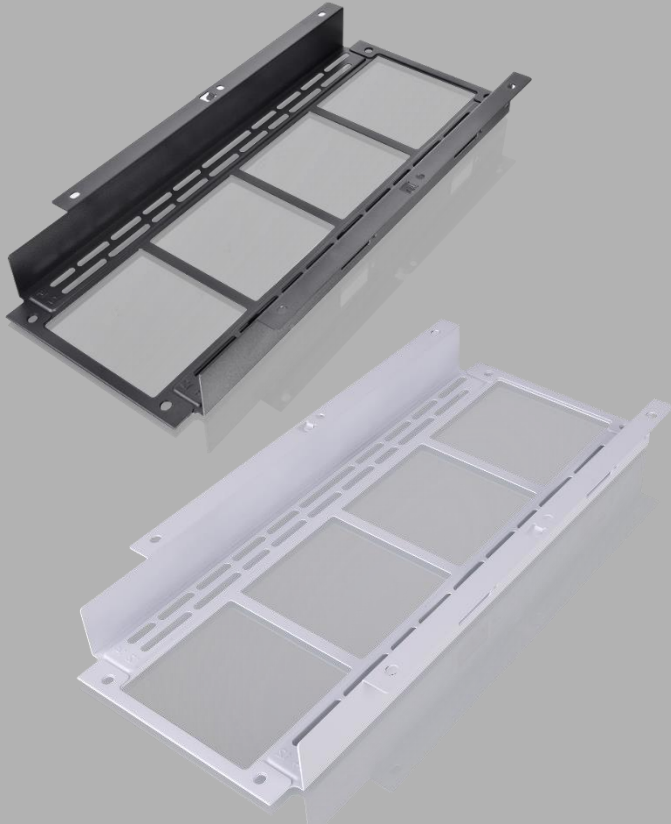


**Bottom filter**



# Thermaltake V350 TG ARGB Air Mid Tower Chassis

## Structure (Internal)



Removable front fan/radiator bracket for easier installation



Preinstalled 120mm rear fan

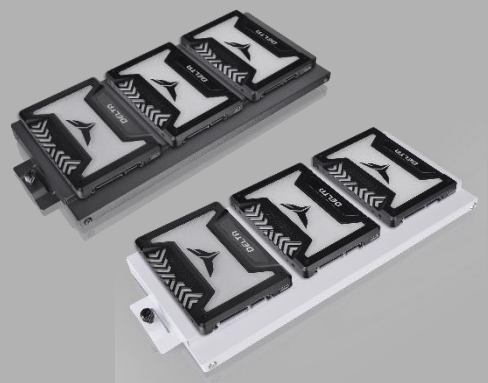
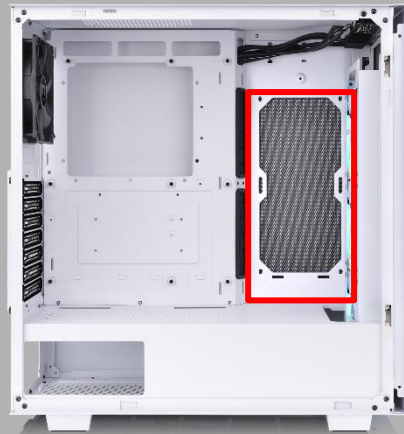
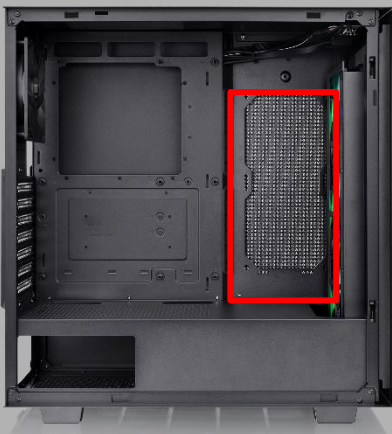
## Structure (Internal)



Full length power cover



Cable cover design for cleaner internal look



It can support up to 3 2.5" SSD

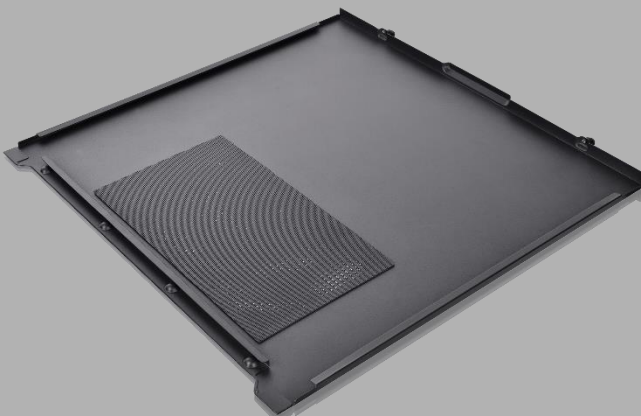
## Structure (Internal)



Front filter



Top filter



Right side filter



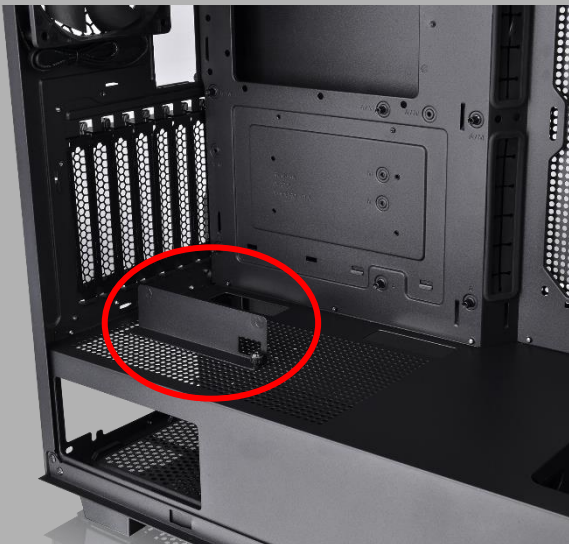
## Rotational VGA bracket design



Horizontal VGA  
installation



Vertical VGA  
installation



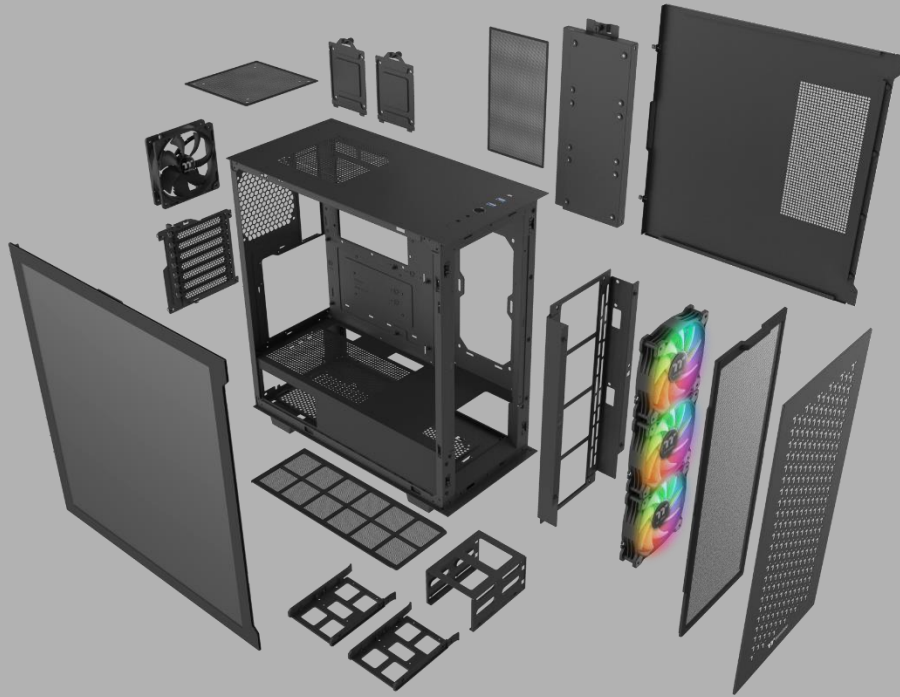
VGA Support Bracket in  
accessory box supports  
vertical VGA installation





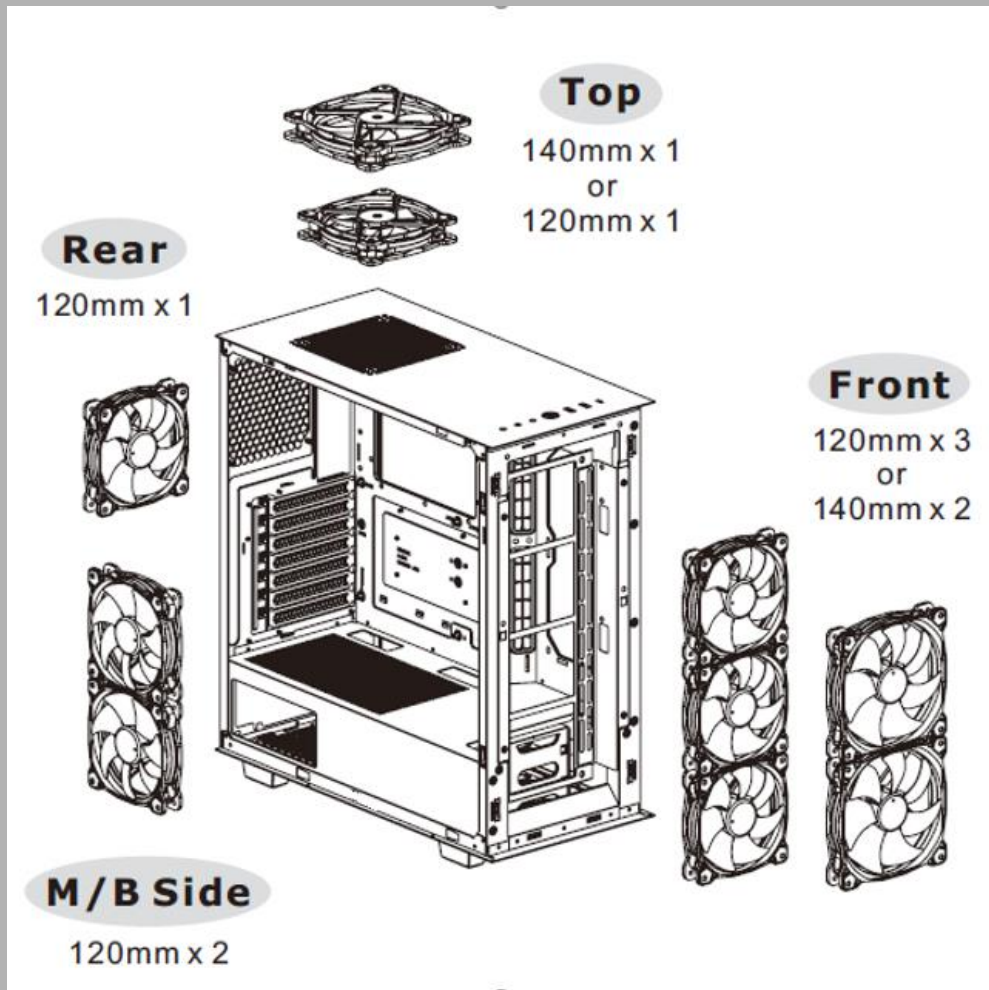
# Thermaltake V350 TG ARGB Air Mid Tower Chassis

## Exploded View



## Compatibility List

Fan Compatibility List			
	120mm	140mm	200mm
Front	3	2	-
Top	1	1	-
Rear	1	-	-
Right	2	-	-



## All-in-One Compatibility

All-in-One Compatibility List						
	120mm	240mm	360mm	140mm	280mm	420mm
Front	●	●	●	●	●	-
Right	●	●	-	-	-	-
Rear	●	-	-	-	-	-
Bottom	-	-	-	-	-	-

