



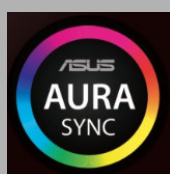
# Thermaltake Ceres 500 Mid Tower Chassis

## Datasheet

- **Style: Simple**
- **Size: Mid Tower supports up to E-ATX MB**
- **Material: Steel & Tempered Glass**

### Main Features

- **Connection :** Front I/O ports with 2 x USB 3.0 & 1 x USB 3.2 (Gen 2) Type C
- **Ventilation:** Preinstalled 140mm ARGB fan x 4
- **Support :** Supports AIO cooling solutions





# Thermaltake Ceres 500 Mid Tower Chassis

## Specification

Model	Ceres 500 TG ARGB	Ceres 500 TG ARGB Snow
P/N	CA-1X5-00M1WN-00	CA-1X5-00M6WN-00
Case Type	Mid Tower	
Chassis Dimension (H*W*D)	525 x 245 x 507.7 mm (20.7 x 9.6 x 20 inch)	
Net Weight	10.5 kg / 23.15 lbs.	
Panel	3mm Tempered Glass x 1	
Color	Black	White
Material	SPCC	
Cooling System	<b>Front(intake):</b> 140 x 140 x 25 mm CT140 ARGB fan (1500rpm, 30.5 dBA) x 3 <b>Rear(exhaust):</b> 140 x 140 x 25 mm CT140 ARGB fan (1500rpm, 30.5 dBA) x 1	
Drive Bays	2 x 3.5", 6 x 2.5" or 8 x 2.5"	
Expansion Slots	7 (Rotatable Patented Design)	
Motherboards	6.7" x 6.7" (Mini ITX), 9.6" x 9.6" (Micro ATX), 12" x 9.6" (ATX), 12" x 13" (E-ATX)	
I/O Port	USB 3.2 (Gen 2) Type-C x 1, USB 3.0 x 2, HD Audio x 1	
PSU	Standard PS2 PSU ( <b>optional</b> )	
Fan Support	<b>Front:</b> 3 x 120mm, 2 x 120mm, 1 x 120mm 3 x 140mm, 2 x 140mm, 1 x 140mm <b>Top:</b> 3 x 120mm, 2 x 120mm, 1 x 120mm 3 x 140mm, 2 x 140mm, 1 x 140mm <b>Rear:</b> 1 x 120mm, 1 x 140mm	
Radiator Support	<b>Front:</b> 1 x 360mm, 1 x 240mm, 1 x 120mm 1 x 420mm, 1 x 280mm, 1 x 140mm <b>Top:</b> 1 x 360mm, 1 x 240mm, 1 x 120mm 1 x 280mm, 1 x 140mm <b>Rear:</b> 1 x 120mm	
Clearance	<b>CPU cooler max height:</b> 185mm <b>VGA max length:</b> 395mm (with radiator) 425mm (without radiator) <b>PSU max length:</b> 220mm	



# Thermaltake Ceres 500 Mid Tower Chassis

## Packaging

Package Information	Ceres 500 TG ARGB	Ceres 500 TG ARGB Snow
EAN Code	4713227535502	4713227536097
UPC Code	841163085516	841163086100
N.W	10.5 kg / 23.15 lbs.	
G.W	12 kg / 26.46 lbs.	
Carton Size (L x W x H)	565 x 320 x 580 mm / 22.2 x 12.6 x 22.8 inch	
Cuft	3.7	
Container	w/o pallet	
20'	279 pcs	
40'	575 pcs	
40' HQ	655 pcs	





# Thermaltake Ceres 500 Mid Tower Chassis

Appearance –  
Black version



Angle view



Left Side view



Front view



Right Side view



Internal Structure



Rear view



Top view



Bottom view





# Thermaltake Ceres 500 Mid Tower Chassis

Appearance –  
Snow version



Angle view



Left Side view



Front view



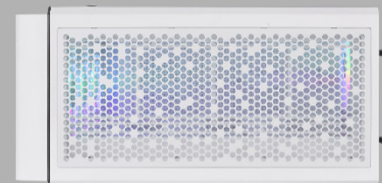
Right Side view



Internal Structure



Rear view



Top view



Bottom view



## Thermaltake Ceres 500 Mid Tower Chassis

### Clearance



Maximum support up  
to 140mm fan x 7

Maximum radiator support  
up to 420mm at front  
(radiator Thickness limitation: 27mm)



3mm Tempered Glass  
Window x 1



# Thermaltake Ceres 500 Mid Tower Chassis

## Structure (External)



**USB 3.2 (Gen 2) Type-C x 1**

**USB 3.0 x 2**

**HD Audio**



**Full length power cover**



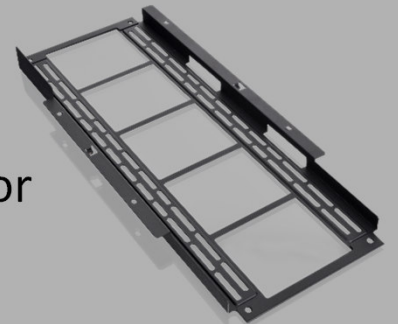
# Thermaltake Ceres 500 Mid Tower Chassis

## Structure (Internal)

Preinstalled CT140  
ARGB fan x 4



Removable front  
fan/radiator bracket for  
easier installation



Velcro Straps for better  
cable management

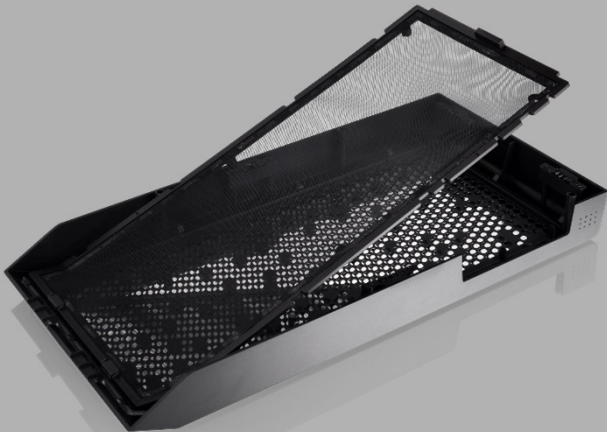




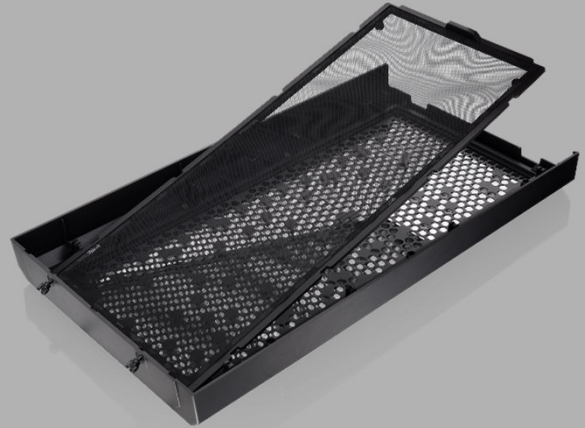


# Thermaltake Ceres 500 Mid Tower Chassis

## Structure (Internal)



Front filter



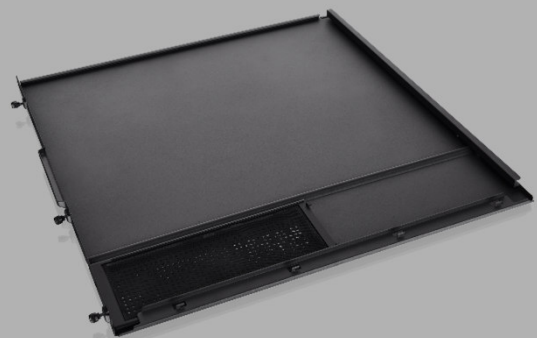
Top filter



Bottom filter



Left side filter



Right side filter



# Thermaltake Ceres 500 Mid Tower Chassis

## Rotational VGA bracket design



Horizontal VGA installation



Vertical VGA installation



VGA Bracket supports horizontal VGA installation



# Thermaltake Ceres 500 Mid Tower Chassis

## Structure (Internal)



VGA Support Bracket supports  
90°/180 ° riser cable installation

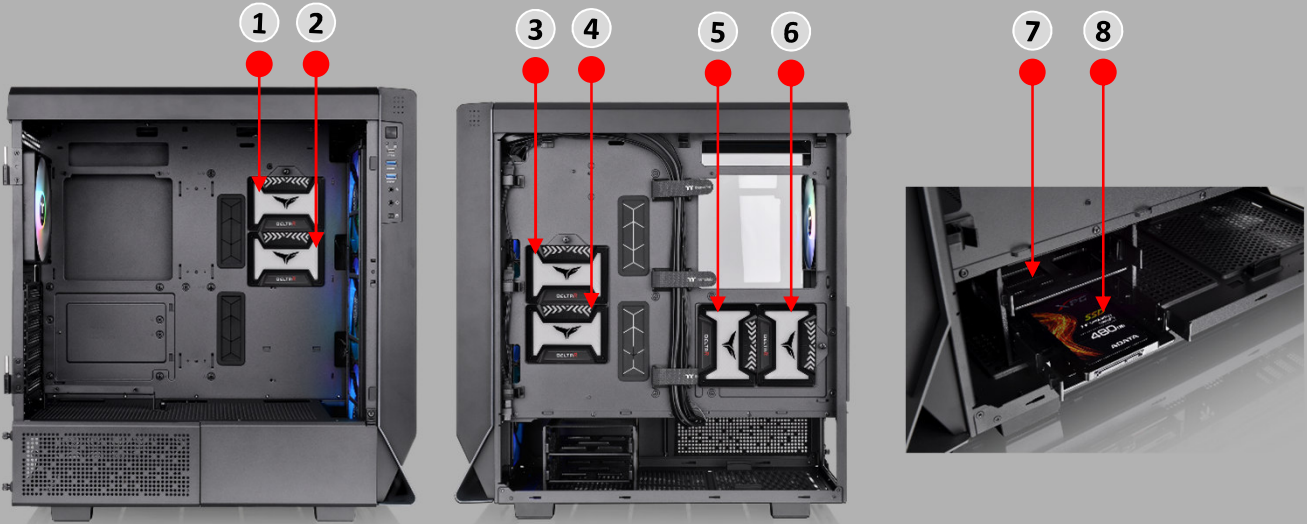




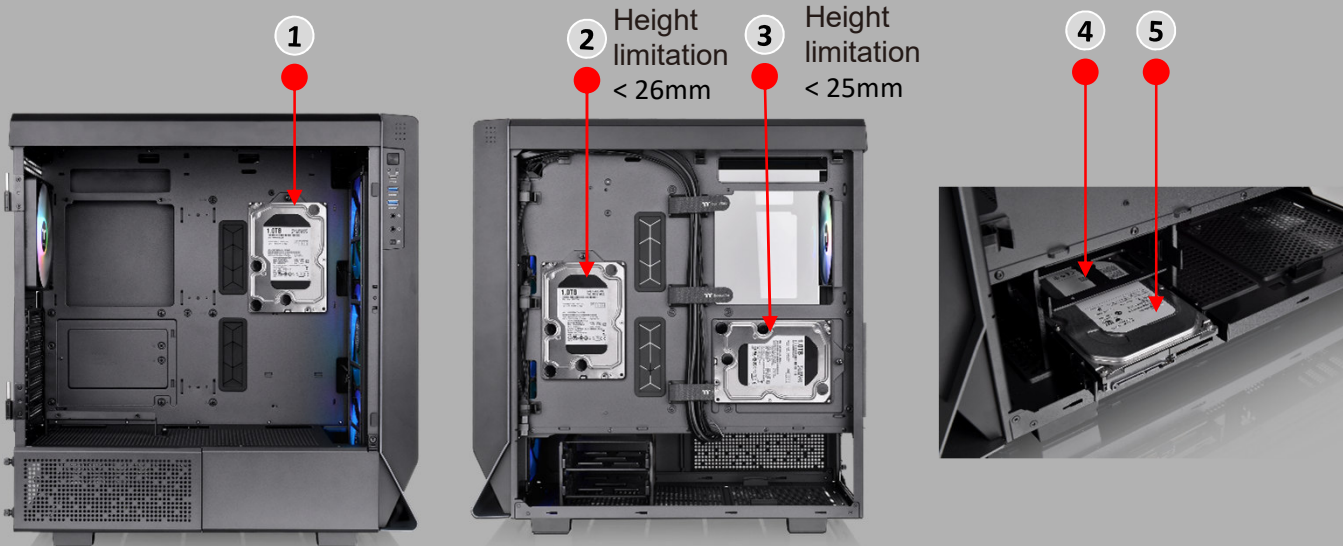


# Thermaltake Ceres 500 Mid Tower Chassis

## Structure (Internal)



Maximum support up to **2.5" SSD x 8**



Maximum support up to **3.5" HDD x 5**





## Thermaltake Ceres 500 Mid Tower Chassis

Pre-installed  
ARGB Fans



Pre-installed four hydraulic bearing **CT140 ARGB** fans which can effectively lower the operation noise and enhance the thermal efficiency.



Black Version



Snow Version

SPEC for Case ARGB **CT140 ARGB** fans

-Fan Speed: 500~1500 RPM

-Max. Fan Airflow: 71.37 CFM

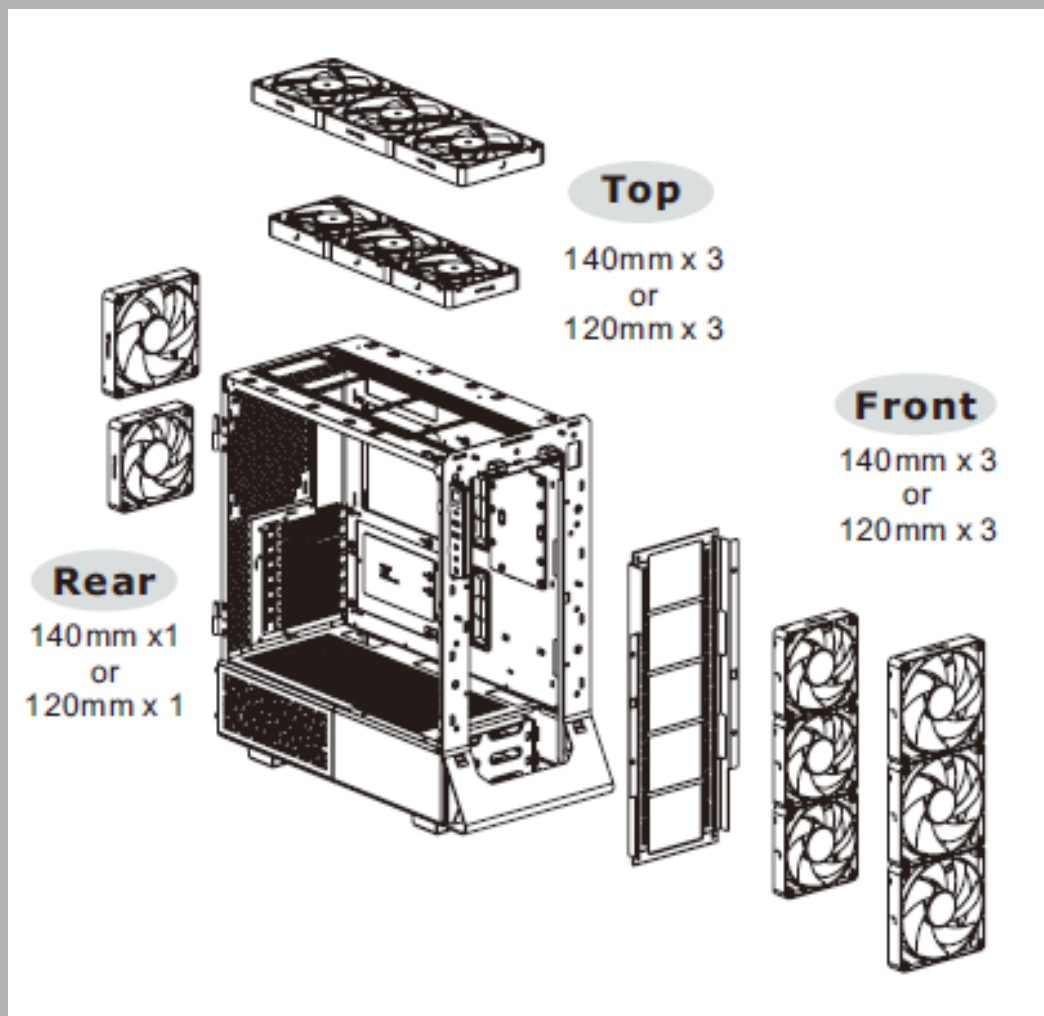
- Max. Fan Air Pressure: 2.19 mm-H2O

- Fan Noise Level: 30.5 dBA

-Fan Bearing: Hydraulic bearing

## Compatibility List

Fan Compatibility List			
	120mm	140mm	200mm
Front	3	3	-
Top	3	3	-
Rear	1	1	-



## All-in-One Compatibility

All-in-One Compatibility List						
	120mm	240mm	360mm	140mm	280mm	420mm
<b>Front</b>	●	●	●	●	●	●
<b>Top</b>	●	●	●	●	●	-
<b>Rear</b>	●	-	-	-	-	-

